

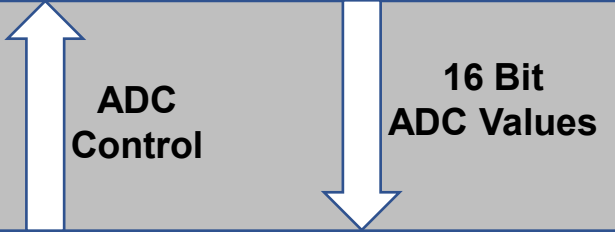
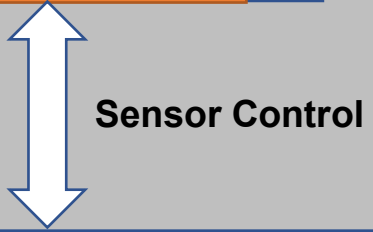
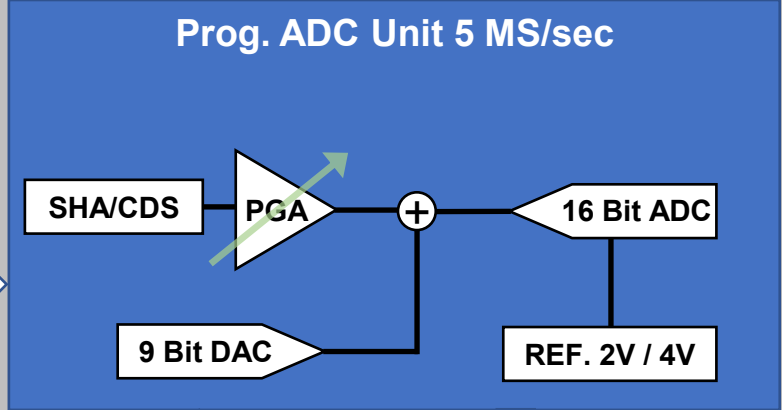
# Supported Sensors

(Sensor socket on board)

**InGaAs**  
HAMAMATSU G11620

**Micro-Spectrometer**  
HAMAMATSU C12880MA

**CMOS**  
HAMAMATSU S11639  
HAMAMATSU S13496  
HAMAMATSU S9226  
HAMAMATSU S8378



**Central Processing Unit**

- 32Bit 96 MHz 120 DMIPS M-Class Core CPU
- 512 kB Flash Bootloader
- Parameter Backup Non Vol. Program
- SCPI-like Control Syntax
- Volatile Parameter 128 kB RAM

**Piggyback**  
(Optional Add-on Board)

- Bluetooth Class 1
- 10/100 Ethernet LAN
- LCD Touchscreen
- Battery Charger / DC/DC Converter
- Powered by SDCM3 or Ext. 5V (7-28V)



**SDCM3**

**Power Supply, I/O - Unit**

- Ext. Trigger Input
- Shutter/Lamp Control
- GPIO
- Power Supply (Ext. 5V or USB)
- USB 2.0 FS
- UART
- SPI (on request)
- IP67 USB (on request)



# Signal Conditioning Boards

(Sensor Board)

## InGaAs

HAMAMATSU G13913  
HAMAMATSU G1147x  
HAMAMATSU G11508  
HAMAMATSU G11608  
HAMAMATSU G11620  
HAMAMATSU G92xx

## BT CCD

HAMAMATSU S10420  
HAMAMATSU S14650  
HAMAMATSU S11511  
HAMAMATSU S1115x  
HAMAMATSU S1014x

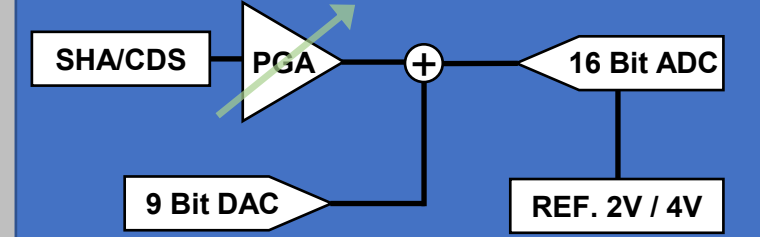
## NMOS

HAMAMATSU S838x

## CMOS

HAMAMATSU S11639  
HAMAMATSU S13496  
HAMAMATSU S13014-10

## Prog. ADC Unit 5 MS/sec



Sensor Cooling

JETI PORT

Video Signal

16 Wire Ribbon Cable

ADC Control

16 Bit ADC Values

## TEC-S

(Optional Add-on Board)

PID Temperature Regulation

Regulation Control

Temperature

Constant current Source (dimmbable)

Light Source Control

Battery Charger / DC/DC Converter

Powered by SDCM4 or Ext. 5V

Power Supply

## Central Processing Unit

32Bit

96 MHz 160 DMIPS

M-Class Core CPU

512 kB Flash

Bootloader

Parameter Backup Non Vol.

Program

SCPI-like Control Syntax

Volatile Parameter

128 kB RAM

SDCM4

I/O Control

Communication

## Power Supply, I/O - Unit

Ext. Trigger Input

Shutter/Lamp Control

GPIO

Power Supply (Ext. 5V or USB 2.0)

USB 2.0 HS

UART

SPI (on request)

IP67 USB (on request)

# Signal Conditioning Boards

(Sensor Board)

## InGaAs

HAMAMATSU G1147x  
HAMAMATSU G11508  
HAMAMATSU G11608  
HAMAMATSU G11620  
HAMAMATSU G92xx

## BT CCD

HAMAMATSU S10420  
HAMAMATSU S11071  
HAMAMATSU S14650/60  
HAMAMATSU S11511  
HAMAMATSU S1115x  
HAMAMATSU S1014x

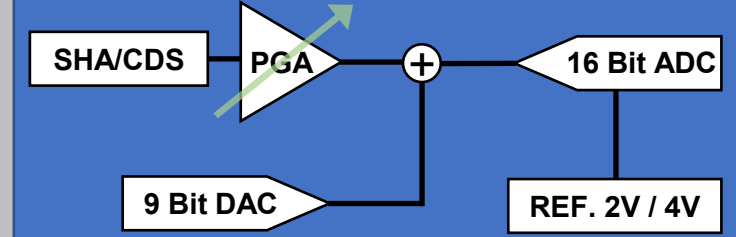
## NMOS

HAMAMATSU S838x

## CMOS

HAMAMATSU S11639  
HAMAMATSU S13496

## Prog. ADC Unit 10 MS/sec



Sensor Cooling

JETI PORT

Video Signal

ADC Control

16 Bit ADC Values

16 Wire Ribbon Cable

## TEC-S

(Optional Add-on Board)

PID Temperature Regulation

Regulation Control

Temperature

Constant current Source (dimmbable)

Light Source Control

Battery Charger / DC/DC Converter

Powered by PE60 or Ext. 5V

Power Supply

## Central Processing Unit

32Bit

252 MHz 415 DMIPS

M-Class Core CPU

2 MB Flash

Bootloader

Parameter Backup Non Vol.

Program

SCPI-like Control Syntax

Multichannel readout

Volatile Parameter

512 kB RAM

PE60

I/O Control

Communication

## Power Supply, I/O - Unit

Ext. Trigger Input

Shutter/Lamp Control

8 GPIO, 3 Analog-IN

Power Supply  
Ext. 5V (7-28V) or  
USB

USB HS

10/100 LAN

UART

RS485

SPI  
(on request)

IP67 USB  
(on request)